

# LIGHT CABLE REPLACEMENT FOR THE 57I DENTAL LIGHT

## Installation Guide



### RECOMMENDED TOOLS

- SAE Hex Key Set
- Multi-Purpose Wire Stripper/Crimper
- Needle Nose Pliers
- Wire Cutters
- 1/8 in. Fish Tape
- Adhesive Tape (Electrical or Masking)
- Voltage Detector (19v-1000v AC/5v-1000v DC)

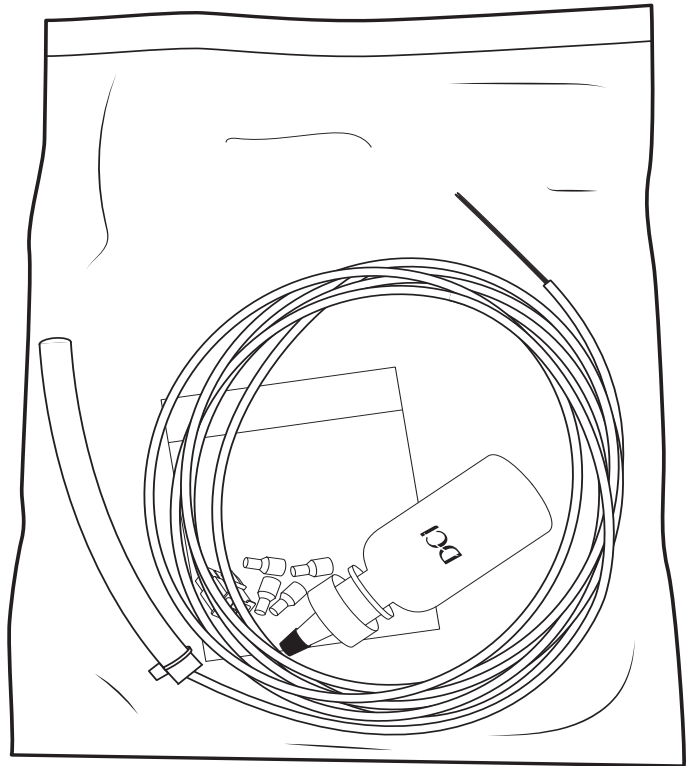
### LIGHT CABLE REMOVAL

1. Turn off the power to the device, and then disconnect the cable from the power source.



**WARNING:** Failure to disconnect the device from its power source before attempting this procedure will result in electrical shock.

2. Remove the housing cover from the light with a 5/32 in. hex key to access the wiring. **Figure 1.**
3. Pull the intensity switch and the on/off switch from the housing. Cut the wiring 2.5 in. to 3 in. from the intensity switch and the on/off switch body to allow rewiring. **Figure 2.**
4. Remove the cable clamp from the housing with a 5/64 in. hex key. **Figure 2.**
5. Remove the flex arm pivot cover with a 5/64 in. hex key. **Figure 3.**
6. Secure the end of the fish tape to the end of the light cord inside of the housing with adhesive tape.
7. Using needle nose pliers, gently pull the light cord and fish tape out through the back of the flex arm.
8. Complete the removal by pulling the light cord and fish tape through the bottom of the light post. **Figure 4.**
9. Disconnect the light cord from the fish tape (fish tape should remain routed through the flex arm and light post), and dispose of the old/damaged light cord.



REMOVE HOUSING COVER

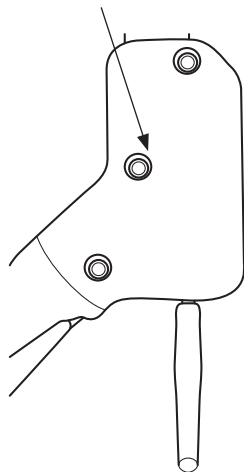


FIGURE 1

INTENSITY SWITCH

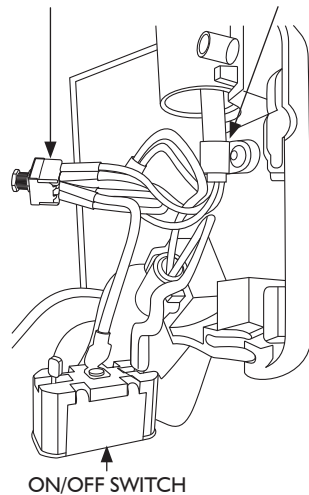


FIGURE 2

CABLE CLAMP

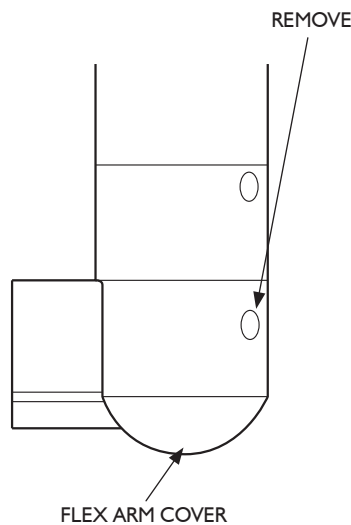


FIGURE 3

REMOVE

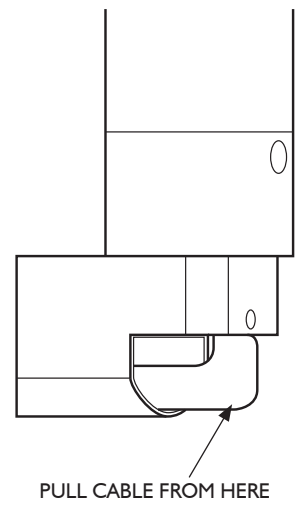


FIGURE 4

FLEX ARM COVER

PULL CABLE FROM HERE

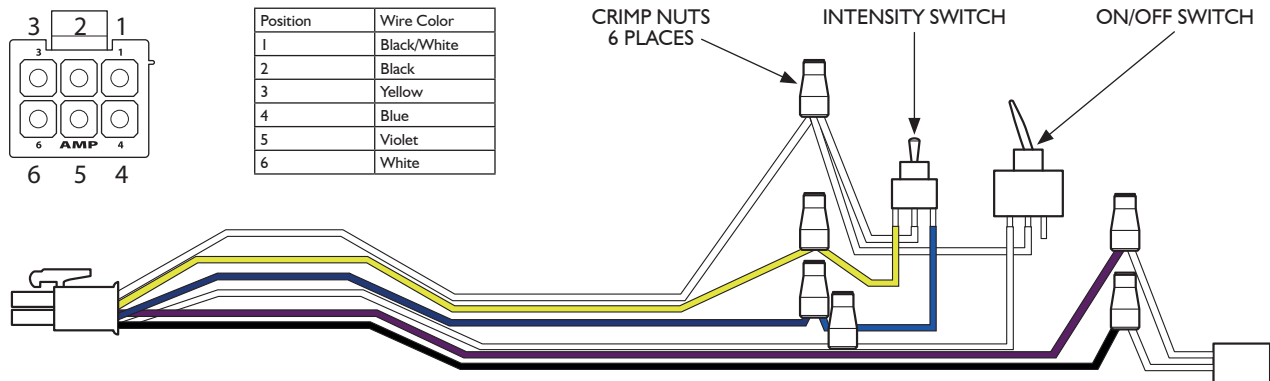
## LIGHT CORD AND SWITCH INSTALLATION

1. Attach the end of the replacement light cord to the end of the fish tape with adhesive tape.
2. Gently pull the fish tape and light cord up through the light post and through the flex arm into the housing. Detach the fish tape.
3. Reinstall the pivot cover and the flex arm cover to the flex arm.
4. Strip back the wiring on the intensity switch and the on/off Switch 0.25 in.
5. Insert wires into connector, and connect and secure the wiring with crimp nuts as shown in the wiring diagram. **Figure 5.**

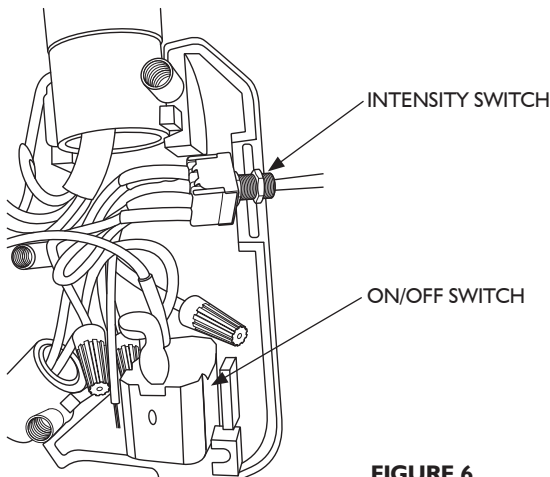


**WARNING:** Failure to properly connect the wiring may result in electric shock and/or fire.

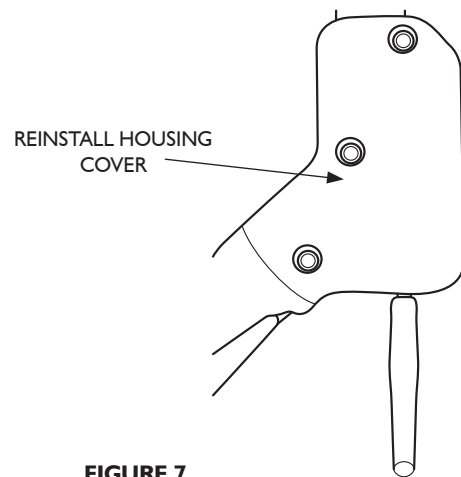
6. Align and seat the intensity switch and the on/off switch into the housing. **Figure 6.**
7. Secure the light cable to the housing with the cable clamp.
8. Reinstall the housing cover. Ensure wiring is not being pinched between the covers. **Figure 7.**
9. Ensure that the on/off switch is in the “off” position then connect the light to its power source.
10. Turn on the light and ensure that all of the functions work properly.



**FIGURE 5**



**FIGURE 6**



**FIGURE 7**

