

# DELUXE DUAL HANDPIECE LIGHT SOURCE SYSTEM

## Installation Instructions



### PRODUCT DESCRIPTION

1. The New DCI Dual Position Power Optic System (DPPOS) PN 9348 is designed to provide power to two handpiece light sources. The system is designed to be installed into a dental unit to provide a clean, aesthetic visual appearance. For this reason, it is highly recommended that a qualified service technician be consulted for proper installation of the product.
2. The new DCI DPPOS has a voltage requirement of 7.5 – 9 V AC/DC, 1.2A and has an output range of 2.5 – 4.2 VDC. It is preset to 3.5V but has a voltage adjustment feature. DCI recommends using transformer #9358.

### INSTALLATION

1. Handpiece light source tubings are available in various styles and colors to be compatible with dental unit colors and desired handpiece connections. If the unit doesn't already have a handpiece light source tubing, replace the entire existing handpiece tubing with one that is compatible with the particular handpiece being used. Install a 1/8 x 1/8 x 1/16 plastic tee and air sensing tube assembly into the drive-air line of the appropriate handpiece position not more than 12" from the desired location of the DPPOS. See Fig. 1.
2. Attach the transformer wires and the handpiece tubing wires to the DPPOS terminals as shown in Fig. 2.
3. Plug the wall transformer into an appropriately rated outlet.

### OPERATION

1. The new DCI DPPOS is preset to an output of 3.5V but has a voltage adjustment feature. This feature allows the user to set the necessary output voltage based on the handpiece manufacturer requirements. Use a #2 slotted precision screwdriver to adjust the DPPOS output voltage by accessing the adjustment potentiometer, and turning clockwise to increase or counterclockwise to decrease the output voltage. Output voltage is measured at the terminals labeled "OUT". See Fig. 2.
2. Note: If measuring voltage from the set screw, ensure screws are fully tightened for correct voltage reading.

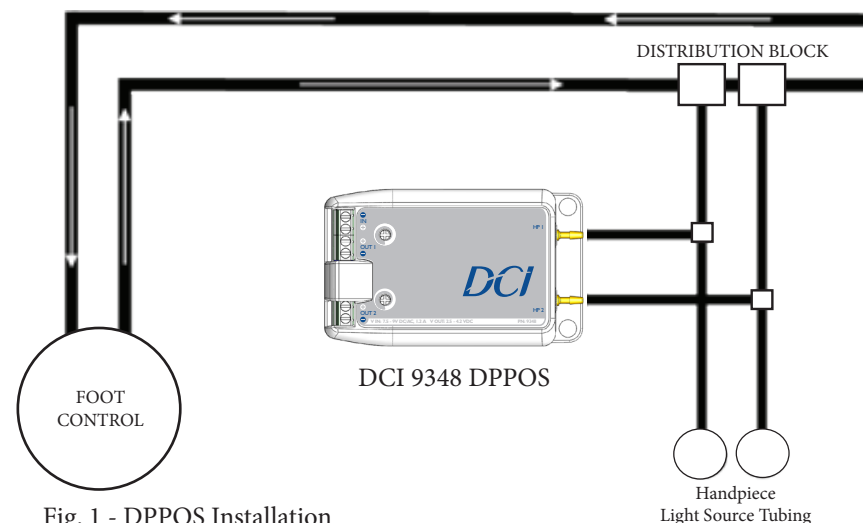


Fig. 1 - DPPOS Installation

DCI 9358 TRANSFORMER

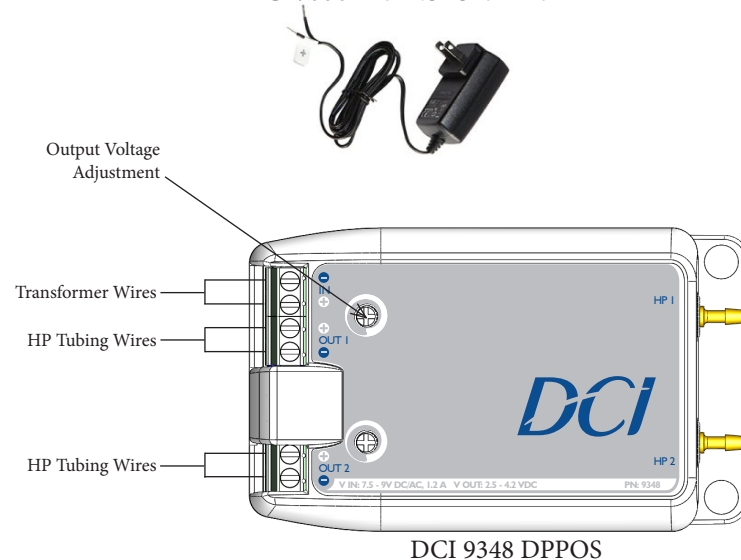


Fig. 2 - Attaching Wires to the DPPOS