

DCI III AUTO DENTAL DELIVERY SYSTEM

Instructions for Use

4506

GENERAL INFORMATION

APPLICABLE MODEL

4XXX

INTENDED APPLICATION AND USE

The dental delivery system is a device intended to support the instruments used by the dental practitioner, delivering those instruments to an accessible position during a dental procedure. This device may control and be the means of delivering compressed air, water, vacuum and low voltage electricity to a variety of instruments commonly used in dental practice.

INSTALLATION INSTRUCTIONS

Package contains:

- Auto control dental delivery system with handpiece tubing and umbilical tubing
- Precision Comfort syringe
- Wet/Dry foot control
- Syringe repair kit

Tools needed:

- 1/4" and 1/8" sleeve tool
- Screwdriver or other appropriate hand tool for wall fasteners

Instructions:

1. **Cover:** Remove the screw retaining the cover to the chassis- located on the underside front using a 3/32" hex key. Lift cover up and remove from rear hinge.
2. **Chassis:** Install dental delivery system chassis to wall using the two outside holes provided in the back of the chassis on a surface that will support the weight of the dental delivery system using appropriate fasteners for the material the dental delivery system is being mounted to. See Figure 2.
3. **Umbilical tubing:** Run dental delivery system umbilical tubings into junction box. Connect proper tubings to utility center:
 - 1/8" Red - Water supply
 - 1/8" Clear - Unregulated Air Supply to master switch
 - 1/8" Yellow - Signal Air to shut-off blocks
 - 1/4" Gray - Regulated drive air/air coolant
 - 8 conductor low voltage power cord - as needed
4. **Water and Air Supply:** Open the manual shut-off valves in the utility center. Adjust regulated air to 80 psi and regulated water to 40 psi. When adjusting for a lower pressure, make the adjustment, and then press the syringe button to relieve the pressure to get an accurate pressure reading.

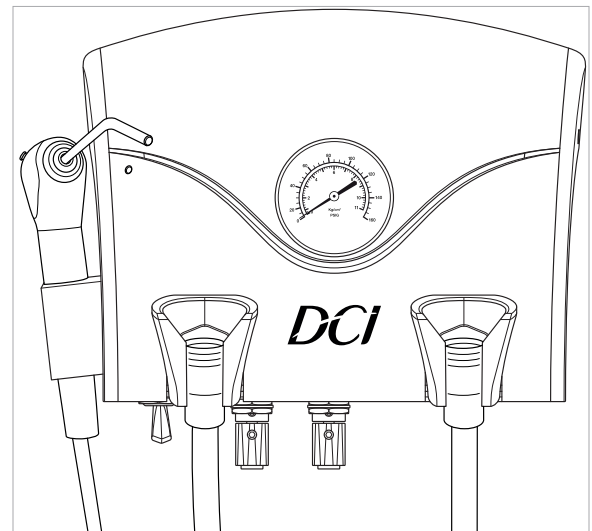


FIGURE 1

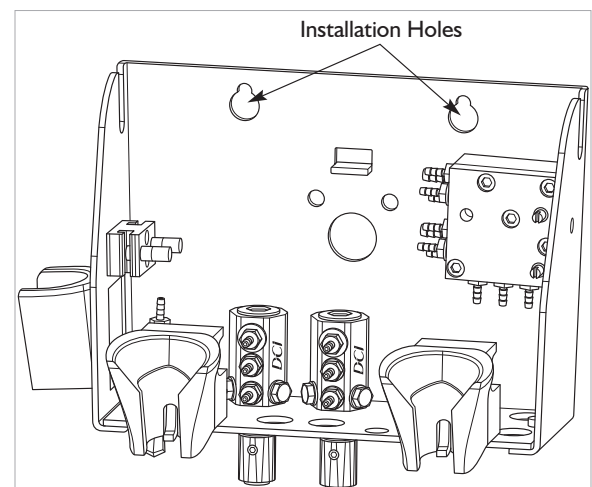


FIGURE 2

OPERATING INSTRUCTIONS AND DENTAL DELIVERY SYSTEM FEATURES

HANDPIECE HOLDERS

The handpiece holders are designed to resist chemical discoloration and be easy to clean.

CONTROLS

The master on/off toggle controls air and water to the system. It is located on the underside of the control dental delivery system on the rear left side.

The water coolant flow control knobs to the handpiece are located on the underside of the control dental delivery system on the rear side. The one on the left controls the left side handpiece and the one on the right controls the right side handpiece.

The drive air pressure gauge indicates the operating pressure of the selected handpiece. It is located on the center of the dental delivery system cover.

The hand piece drive air adjustment and the syringe air and water flow controls are located inside the control dental delivery system. To gain access, remove the cover using a 3/32" hex key, lift the cover up and remove from rear hinge. Handpiece drive air should be adjusted to the handpiece manufacturer's recommendation. To adjust syringe air and water flow, turn the thumbscrews counterclockwise to increase air or water flow, clockwise to decrease flow. See Figure 3.

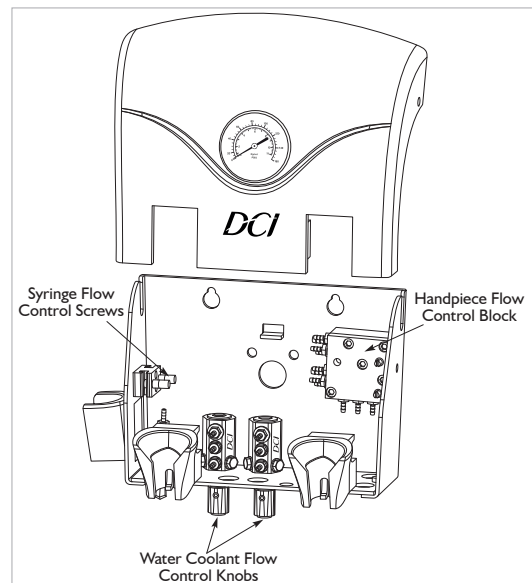


FIGURE 3

SYRINGE

The #4506 comes with a Precision Comfort syringe. The syringe is packaged in a shipping envelope, with operating instructions and a repair kit attached. The syringe goes in the holder on the far left side of the dental delivery system chassis. Adjustment screws for the air and water flow to the syringe are located inside. See Controls section for access and location of air and water flow.

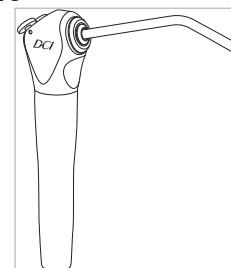


FIGURE 4

FOOT CONTROL

Handpiece speed is controlled with the foot control disc. Varying pressure on the foot control disc controls speed. Air coolant is also provided when you step on the foot control.

CONTROL HEAD

The control head can be cleaned with most commonly available surface disinfectants. Do not use any Sodium Hypochloride solutions, or any cleansers containing alcohol. These may cause paint and finish discoloration.

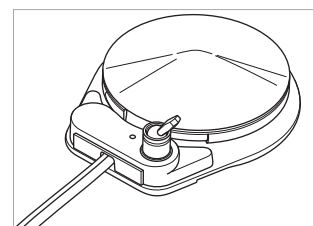


FIGURE 5

DENTAL DELIVERY SYSTEM WATER LINE MAINTENANCE

Distilled water is not recommended for use in dental delivery systems. The Centers for Disease Control and the American Dental Association can provide recommendations on when to flush your system, for how long, and what products to use.

CLEANING AND MAINTENANCE

Do not use powdered cleansers, scouring pads, or abrasive scrubbers on any of the finished metal surfaces in this dental delivery system, i.e. the syringe or the foot control disc. Sodium Hypochloride will also damage these surfaces.

