

ARM MOUNTED AUTOMATIC CONTROL DENTAL DELIVERY SYSTEM

Instructions for Use

4378

GENERAL INFORMATION

APPLICABLE MODEL

4XXX

INTENDED APPLICATION AND USE

The dental delivery system is a device intended to support the instruments used by the dental practitioner, delivering those instruments to an accessible position during a dental procedure. This device may control and be the means of delivering compressed air, water, vacuum and low voltage electricity to a variety of instruments commonly used in dental practice.

INSTALLATION INSTRUCTIONS

Package contains:

- Control dental delivery system to fit A-dec® Cascade® Arm with handpiece tubing and umbilical tubing
- Precision Comfort syringe
- Syringe repair kit

Tools needed:

- 1/4" and 1/8" sleeve tool
- Screwdriver or other appropriate hand tool for wall fastener

Instructions:

1. **Prep:** Disconnect the necessary tubing (leave as much tubing as possible) from the control block of the dental delivery system to be replaced and remove the dental delivery system to be replaced from its mount. Retain original mounting hardware for replacement dental delivery system.
2. **Cover:** Remove the screw retaining the cover to the chassis-located on the underside front using a 1/8" hex key. Lift cover up.
3. **Mount and Arm:** Install dental delivery system to the Existing Cascade® Arm, using the appropriate fasteners to properly mount the dental delivery system. See Figure 1
4. **Umbilical Tubing:** Run original dental delivery system umbilical into the replacement dental delivery system. Connect proper tubing of the replacement dental delivery system umbilical into the original dental delivery system tubing umbilical. (See Tubing Diagram)
 - 1/4" Gray – Foot Control Drive Air (Output)
 - 1/8" Brown – Foot Control Signal Water (Output)
 - 1/8" Green – Foot Control Signal Air (Output)
 - 1/8" Gray – Foot Control Chip Blower (Output)
 - 1/8" Orange – Master (Output)
 - 1/8" Clear – Pilot Air (Input)
 - 1/8" Yellow – Regulated Air (Output)
 - 1/8" Red – Oral Cavity Water (Output)
 - 1/8" Black – Brake (Input)
5. **Water and Air Supply:** Open the manual shut-off valves in the utility center. Adjust regulated air to 80 psi and regulated water to 40 psi. When adjusting for a lower pressure, make the adjustment, and then press the syringe button to relieve the pressure to get an accurate pressure reading.

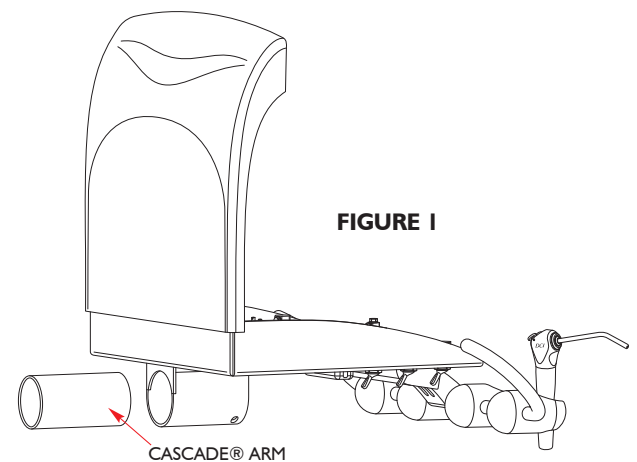
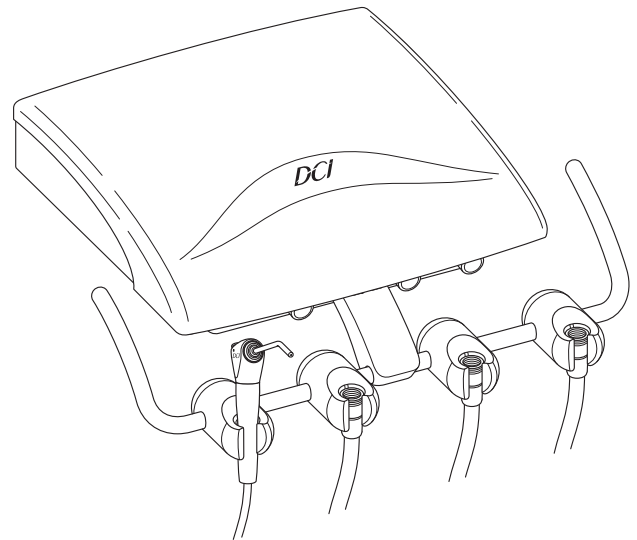
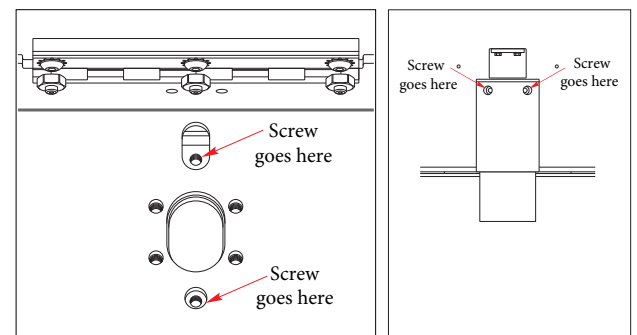


FIGURE 1



OPERATING INSTRUCTIONS AND DENTAL DELIVERY SYSTEM FEATURES

HANDPIECE HOLDERS

The asepsis handpiece holders are designed to resist chemical discoloration and be easy to clean. The handpiece is activated when removed from the holder and stepping on the foot control disc. The positions of the individual handpiece holders are adjustable; loosen the set screws, move the handpiece holder to the desired location, and retighten the screws. You will need a 1/8" hex key. See Figure 2.

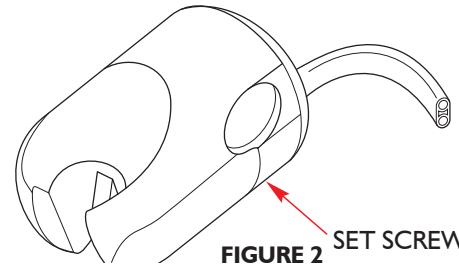


FIGURE 2 SET SCREWS

CONTROLS

The master on-off toggle controls air and water to the entire system. It is located on the underside of the control dental delivery system, on the left. The water coolant flow control knobs control water to a specific handpiece and are located on the underside of the control dental delivery system, near the front. The handpiece flush toggle is located on the underside of the control dental delivery system on the left of the dental delivery system - used to flush handpieces. The drive air pressure gauge indicates the operating pressure of the selected handpiece. It is located on the right side of the control dental delivery system chassis. The drive air adjustment screws are located on the inside of the control dental delivery system. Handpiece drive air pressure should be adjusted to the handpiece manufacturer's recommendation.

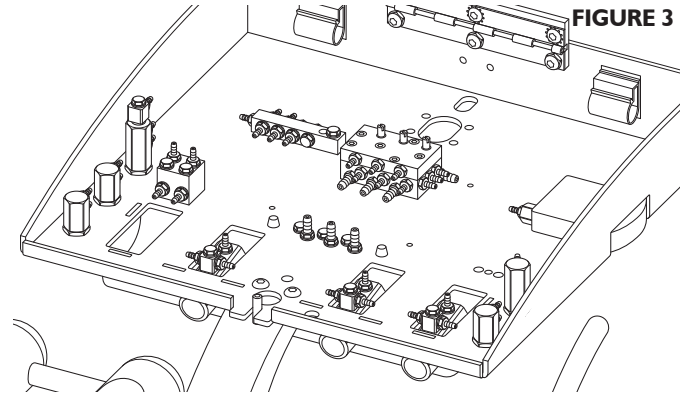
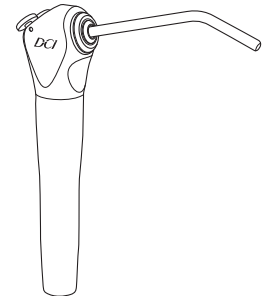


FIGURE 3

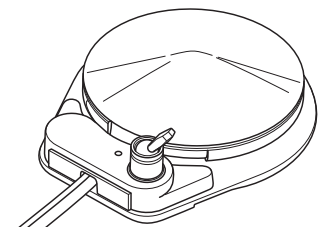
SYRINGE

The #4378 comes with a Precision Comfort syringe. The syringe is packaged in a shipping envelope, with operating instructions and a repair kit attached. The syringe goes in the holder on the far left side of the instrument holder bar. Adjustment screws for the air and water flow to the syringe are located on the underside of the control dental delivery system, in the rear left area. Use the 3/32" hex driver provided with the dental delivery system to turn the hex screws counter-clockwise to increase the flow of air or water, clockwise to decrease the flow.



FOOT CONTROL

The foot control is equipped with a wet/dry toggle. When the toggle is positioned toward the blue dot, water will be provided to the active handpiece. With the toggle positioned away from the blue dot, water is turned off. Handpiece speed is controlled with the foot control disc. Varying pressure on the foot control disc controls speed. Air coolant is also provided when you step on the foot control disc.



CONTROL HEAD

The control head can be cleaned with most commonly available surface disinfectants. Do not use any Sodium Hypochloride solutions, or any cleansers containing alcohol. These may cause paint and finish discoloration.

DENTAL DELIVERY SYSTEM WATER LINE MAINTENANCE

Distilled water is not recommended for use in dental delivery systems. The Center for Disease Control and the American Dental Association can provide recommendations on when to flush your system, for how long, and what products to use.

CLEANING AND MAINTENANCE

Do not use powdered cleansers, scouring pads, or abrasive scrubbers on any of the finished metal surfaces in this dental delivery system, i.e. the syringe or the foot control disc. Sodium Hypochloride will also damage these surfaces.

The handpiece oil collector is located on underside of dental delivery system in center, unscrew base to reveal gauze, replace weekly if necessary with 2" x 2" gauze pad.

A-dec® and Cascade® are registered trademarks of A-dec, Inc. DCI has no affiliation with A-dec and A-dec has not authorized DCI replacement parts to be used on or in connection with A-dec® products.

