

RELIANCE MANUAL DENTAL DELIVERY SYSTEM

Instructions for Use



4521

GENERAL INFORMATION

APPLICABLE MODEL

4XXX

INTENDED APPLICATION AND USE

The dental delivery system is a device intended to support the instruments used by the dental practitioner, delivering those instruments to an accessible position during a dental procedure. This device may control and be the means of delivering compressed air, water, vacuum and low voltage electricity to a variety of instruments commonly used in dental practice.

INSTALLATION INSTRUCTIONS

Package contains:

- Manual control dental delivery system with handpiece tubing and umbilical tubing
- Precision Comfort syringe
- Wet/Dry foot control
- Syringe repair kit

Tools needed:

- 1/4" and 1/8" sleeve tool
- Screwdriver or other appropriate hand tool for wall fasteners

Instructions:

- 1. Cover:** Remove the screw retaining the cover to the chassis, located on the underside front using a 3/32" hex key. Lift cover up and remove from rear hinge.
- 2. Chassis:** Install dental delivery system chassis to wall using the two outside holes provided in the back of the chassis on a surface that will support the weight of the dental delivery system using appropriate fasteners for the material the dental delivery system is being mounted to. See Figure 1.
- 3. Umbilical tubing:** Umbilical tubing: Run dental delivery system umbilical tubings into junction box. Connect proper tubings to utility center:
 - 1/8" Red - Water supply
 - 1/8" Clear - Unregulated-Input air supply
 - 1/8" Yellow - Unregulated-Output air to shut-off blocks
 - 1/4" Gray - Regulated drive air/ air coolant
- 4. Water and Air Supply:** Open the manual shut-off valves in the utility center. Adjust regulated air to 80 psi and regulated water to 40 psi. When adjusting for a lower pressure, make the adjustment, and then press the syringe button to relieve the pressure to get an accurate pressure reading.

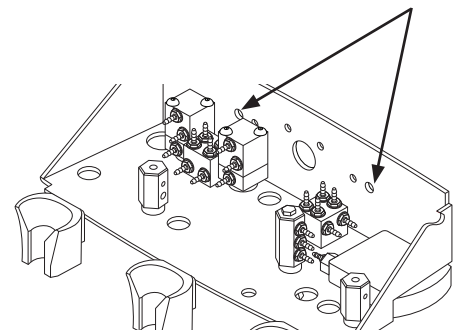
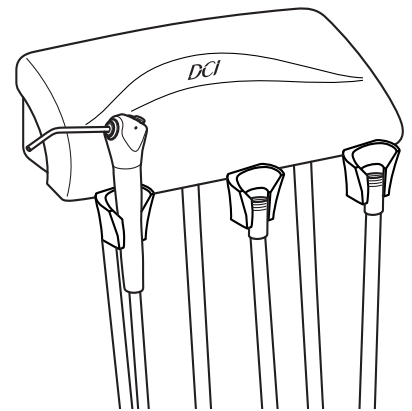
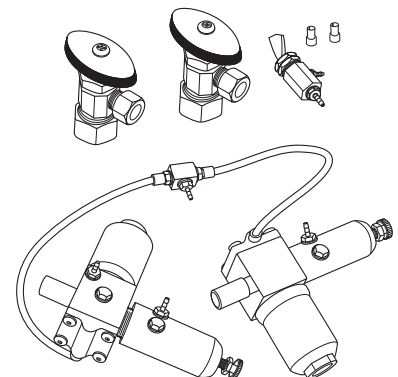


FIGURE 1



STEPS 3 - 4 UTILITY CENTER
NOT INCLUDED

OPERATING INSTRUCTIONS AND DENTAL DELIVERY SYSTEM FEATURES

HANDPIECE HOLDERS

The handpiece holders are designed to resist chemical discoloration and be easy to clean.

CONTROLS

The *Master on/off switch* controls air and water to the entire system. It is located on the underside in the front on the far left. Water coolant is provided to handpiece #1 and #2. The *water on/off switch* is located on the underside of the dental delivery system on the left. The *water coolant flow control knobs* control water to handpiece #1 and #2 and are located on the underside of the control dental delivery system, near the back. The *handpiece selector switch* is located on the underside of the dental delivery system in between the handpiece tubing 1 and 2 - use this to toggle between handpiece #1 and handpiece #2. The *drive air pressure gauge* indicates the operating pressure of the selected handpiece. It is located on the right side of the control dental delivery system chassis. The *drive air adjustment screws* are located on the underside of the control dental delivery system, in the back. Handpiece drive air pressure should be adjusted to the handpiece manufacturer's recommendation. See Figure 2.

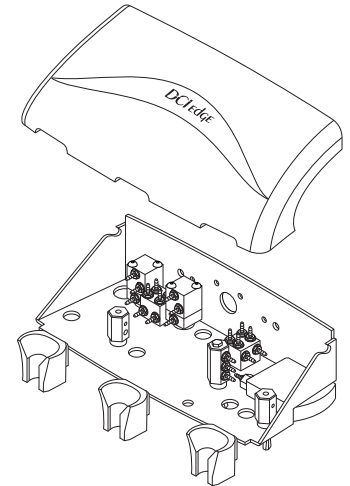
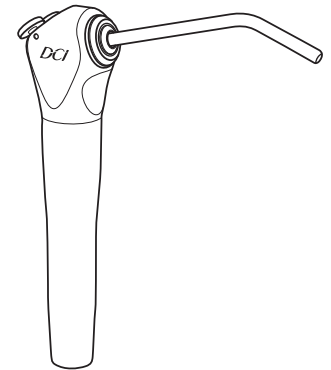


FIGURE 2

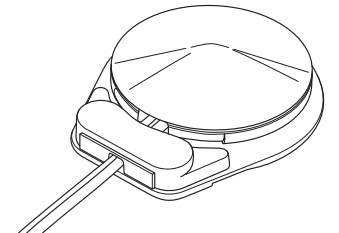
SYRINGE

The #4521 comes with a Precision Comfort syringe. The syringe is packaged in a shipping envelope, with operating instructions and a repair kit attached. The syringe goes in the holder on the far left side of the instrument holder bar. Adjustment screws for the air and water flow to the syringe are located on the underside of the control dental delivery system, in the rear left area. Use the 3/32" hex driver provided with the dental delivery system to turn the hex screws counterclockwise to increase the flow of air or water, clockwise to decrease the flow.



FOOT CONTROL

Handpiece speed is controlled with the foot control disc. Varying pressure on the foot control disc controls speed. Air coolant is also provided when you step on the foot control.



CONTROL HEAD

The control head can be cleaned with most commonly available surface disinfectants. Do not use any Sodium Hypochloride solutions, or any cleansers containing alcohol. These may cause paint and finish discoloration.

DENTAL DELIVERY SYSTEM WATER LINE MAINTENANCE

Distilled water is not recommended for use in dental delivery systems. The Center for Disease Control and the American Dental Association can provide recommendations on when to flush your system, for how long, and what products to use.

CLEANING AND MAINTENANCE

Do not use powdered cleansers, scouring pads, or abrasive scrubbers on any of the finished metal surfaces in this dental delivery system, i.e., the syringe or the foot control disc. Sodium Hypochloride will also damage these surfaces.

