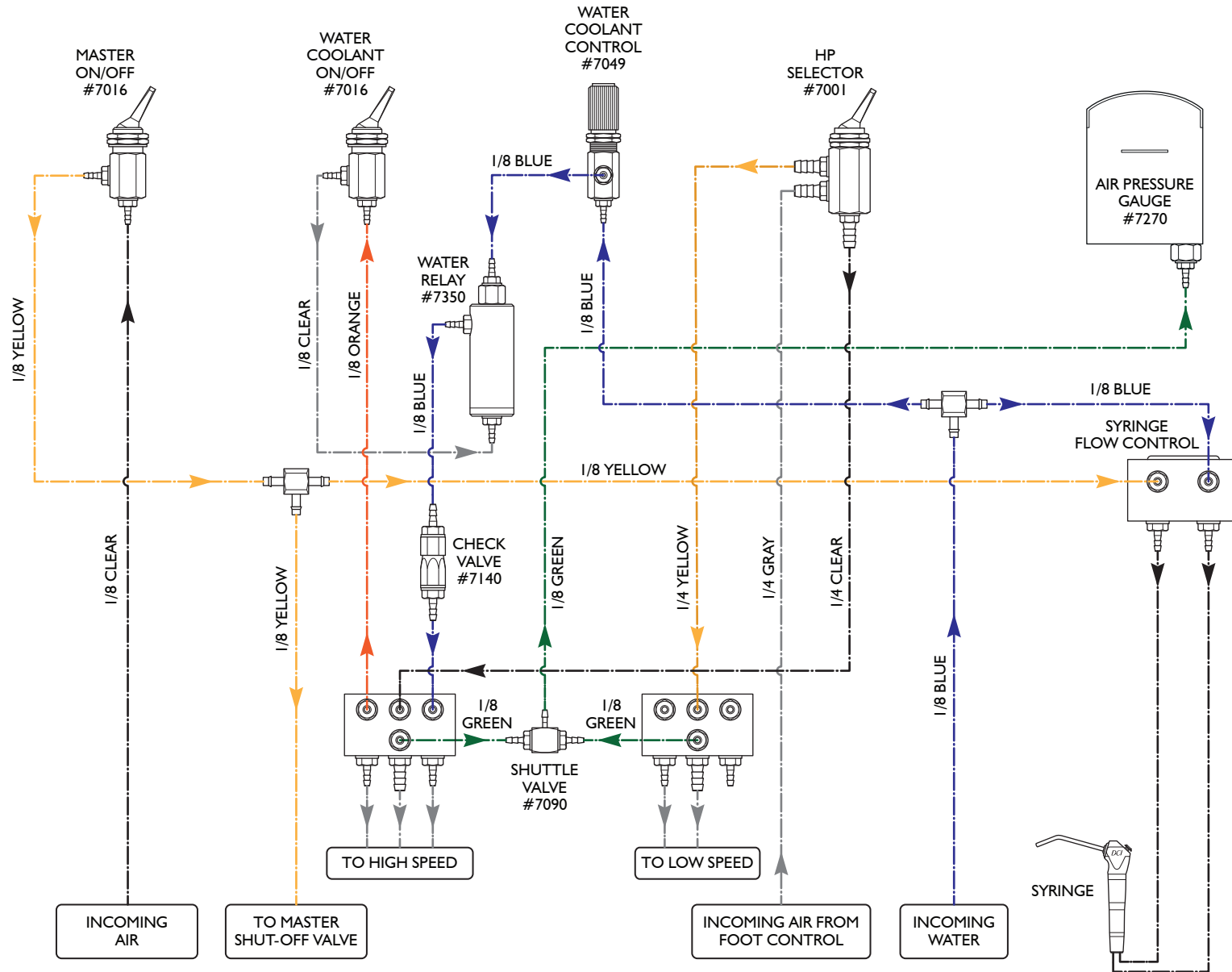


4400 & 440I Manual Panel or Shelf Mount Plumbing Diagram



DCI

