

**\* FOR REFERENCE PURPOSES ONLY - NOT FOR CONSTRUCTION**

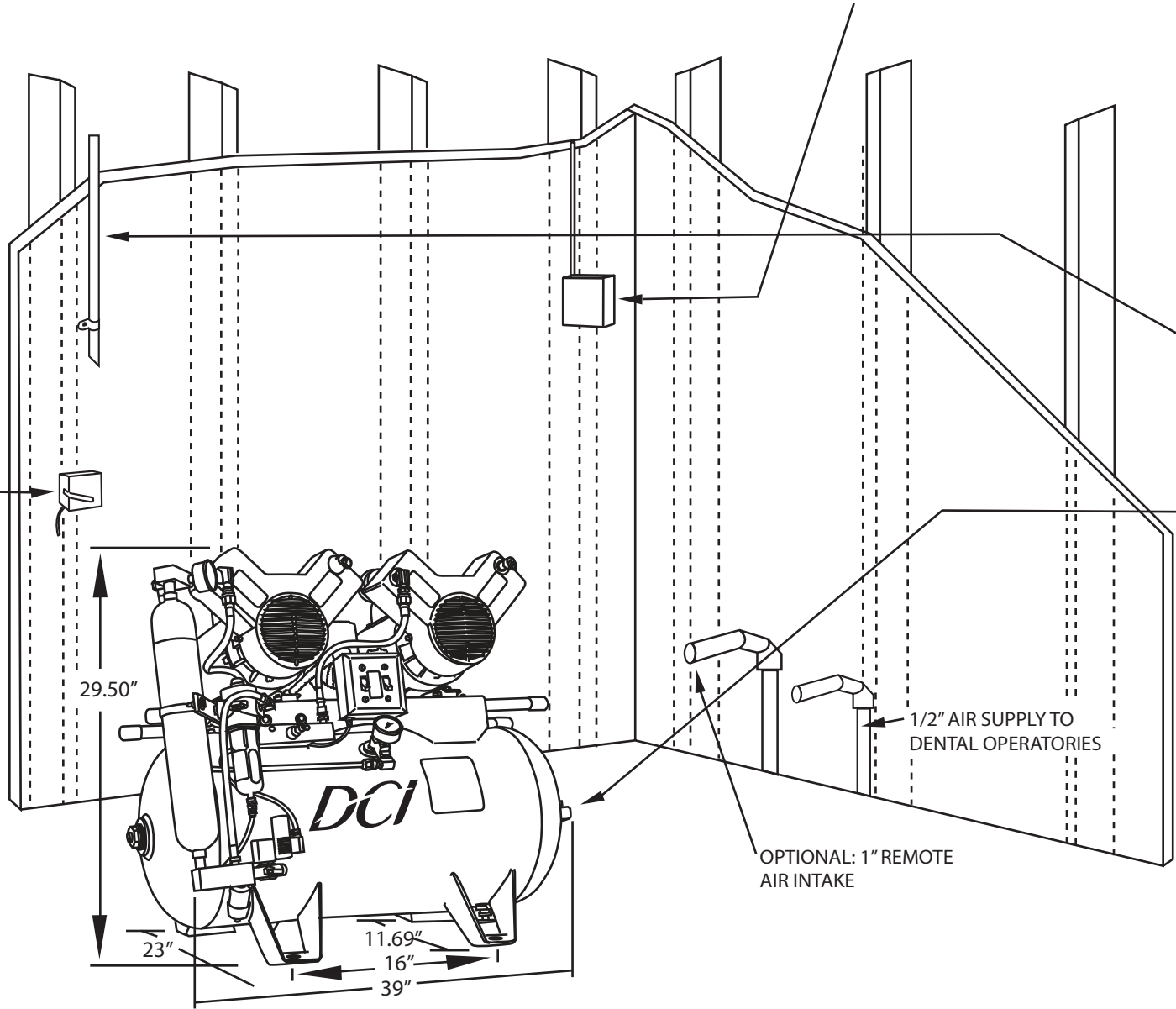
OPTIONAL: IF LOW VOLTAGE CONTROLS ARE USED TO REMOTELY OPERATE THE AIR COMPRESSOR, 3 18AWG WIRES, I-RED, I-BLACK, AND I-YELLOW SHALL BE RUN FROM 3 FT OF CENTER. I-YELLOW SHALL BE RUN FROM 3 FT OF CENTER BACK OF THE AIR COMPRESSOR TO REMOTE SWITCH PANEL LOCATION.

ALL DCI AIR COMPRESSORS REQUIRE A 115 OR 208-230 VOLT, +/- 5% VARIANCE, SINGLE PHASE, GROUNDED ELECTRICAL SUPPLY ON A DEDICATED CIRCUIT BREAKER. SEE TABLE BELOW FOR PROPER VOLTAGE AND AMPERAGE REQUIREMENTS.

MODELS C-0103/C-1103 AND C-2106 = 115VAC

MODELS C-0203 / C-1203, C-2206 AND C-3210 = 230VAC

ALL MODELS REQUIRE 20 AMP CIRCUIT "EXCEPT" C-2106 AND C-3210 WHICH NEED A 30 AMP CIRCUIT.

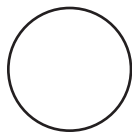


OPTIONAL: IF INSTALLATION REQUIRES FRESH AIR INTAKE, A 1" NPT PIPE SHALL BE RUN FROM WITHIN 2 FT OF THE CENTER BACK OF MACHINE, TO THE EXTERIOR OF THE BUILDING. PVC IS ACCEPTABLE IF CODE ALLOWS FOR PVC PIPE.

AIR SUPPLY: SHALL BE MINIMUM 1/2" PIPING LOCATED WITHIN 3 FT OF CENTER BACK OF AIR COMPRESSOR.

A 6 FT FLEXIBLE HOSE IS INCLUDED WITH ALL C-SERIES AIR COMPRESSORS.

SUPPLY SHALL BE LOCATED WITHIN 3 FT OF CENTER BACK OF MACHINE.



**C-Series Air Compressors**

\*Not to Scale