

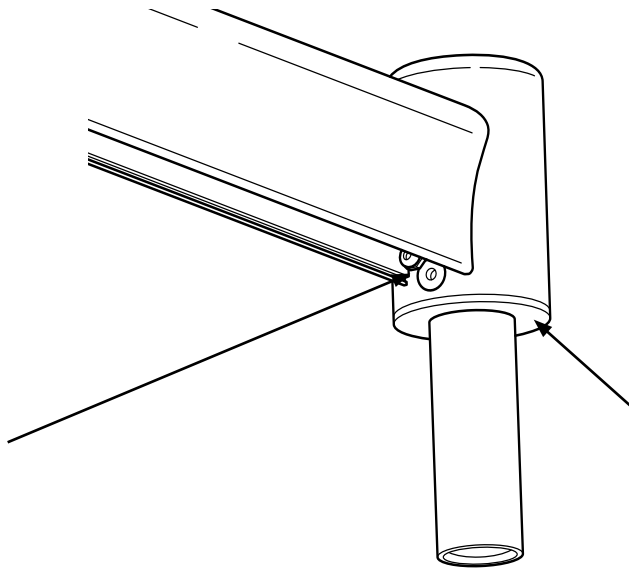
# DCI TOP POST MOUNT ADAPTER 8923 (OPTIONAL) AND 8956 (OPTIONAL) FOR 8733-8736 FLEX ARM SYSTEMS

## Installation Instructions



Removal of top post mount adapter and conversion to thru post mount - use left side notes starting at step 1.  
Thru post mount conversion to top post mount - use right side notes starting at step 1.

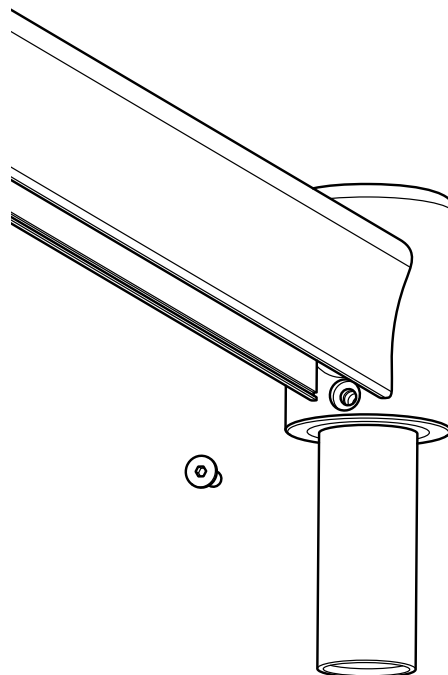
**STEP 1.**  
Slide umbilical cover away from hub.  
Locate socket head screw. Remove  
umbilical tubing from adapter.



**STEP 4.**  
Tighten socket head screw and route  
umbilical tubing through side hole  
in hub and down through bottom of  
adapter. Add nylon washer to post  
mount adapter. Assembly is now  
ready for installation.

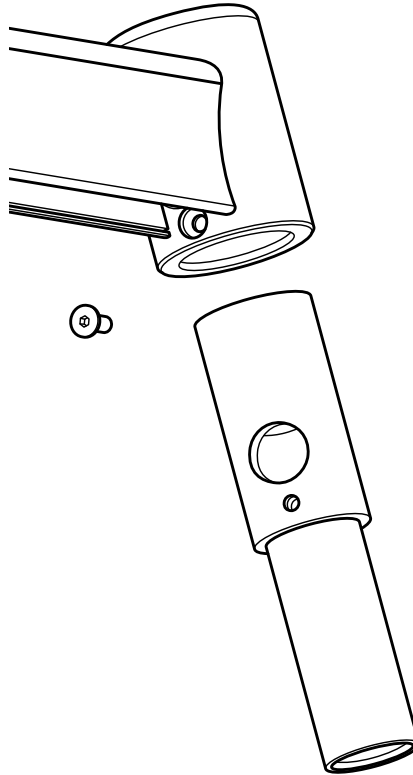
**NYLON WASHER**

**STEP 2.**  
Remove socket head screw.



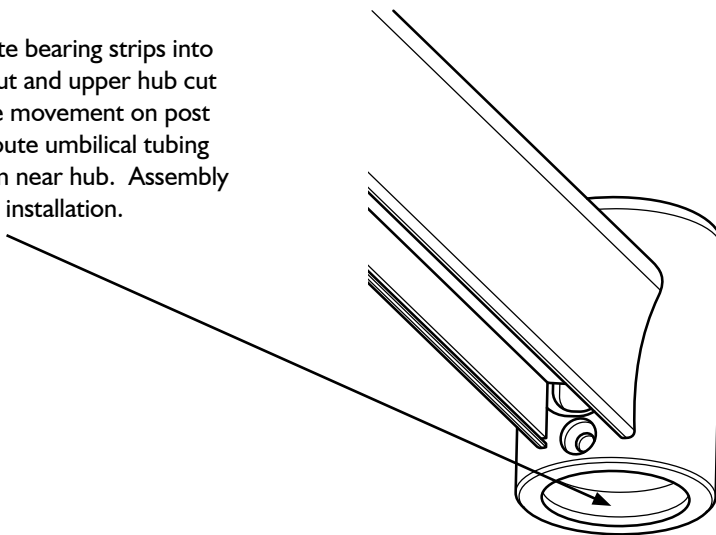
**STEP 3.**  
Screw in socket head screw.

**STEP 3.**  
Slide out adapter.



**STEP 2.**  
Slide adapter into thru post hub from the bottom of the hub. Align mounting hole.

**STEP 4.**  
Insert appropriate bearing strips into lower hub cut out and upper hub cut out to allow free movement on post without play. Route umbilical tubing from base of arm near hub. Assembly is now ready for installation.



**STEP 1.**  
Remove bearing strips - upper and lower.

