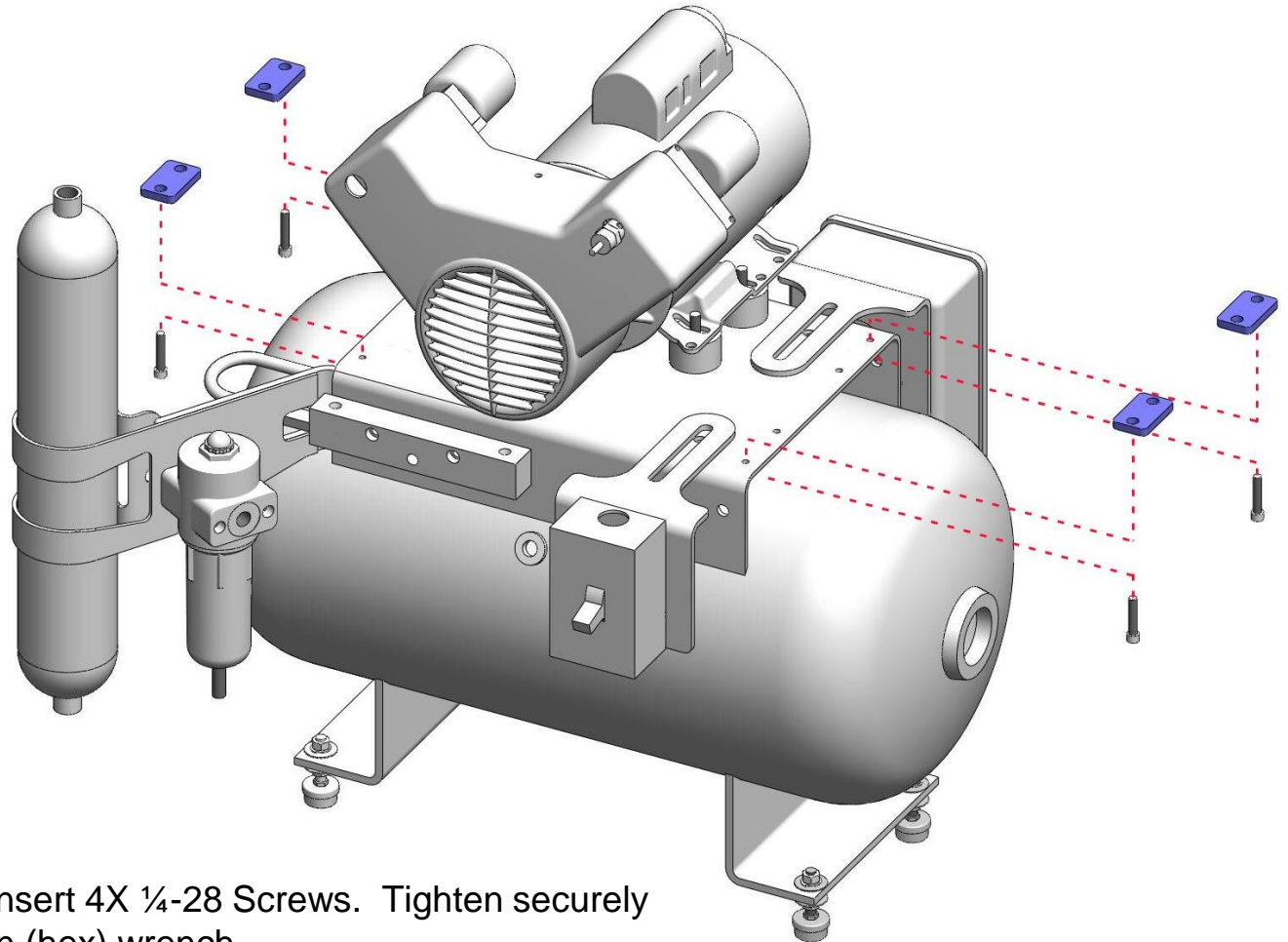




## Compressor Sound Cover Installation Instructions, Single Head

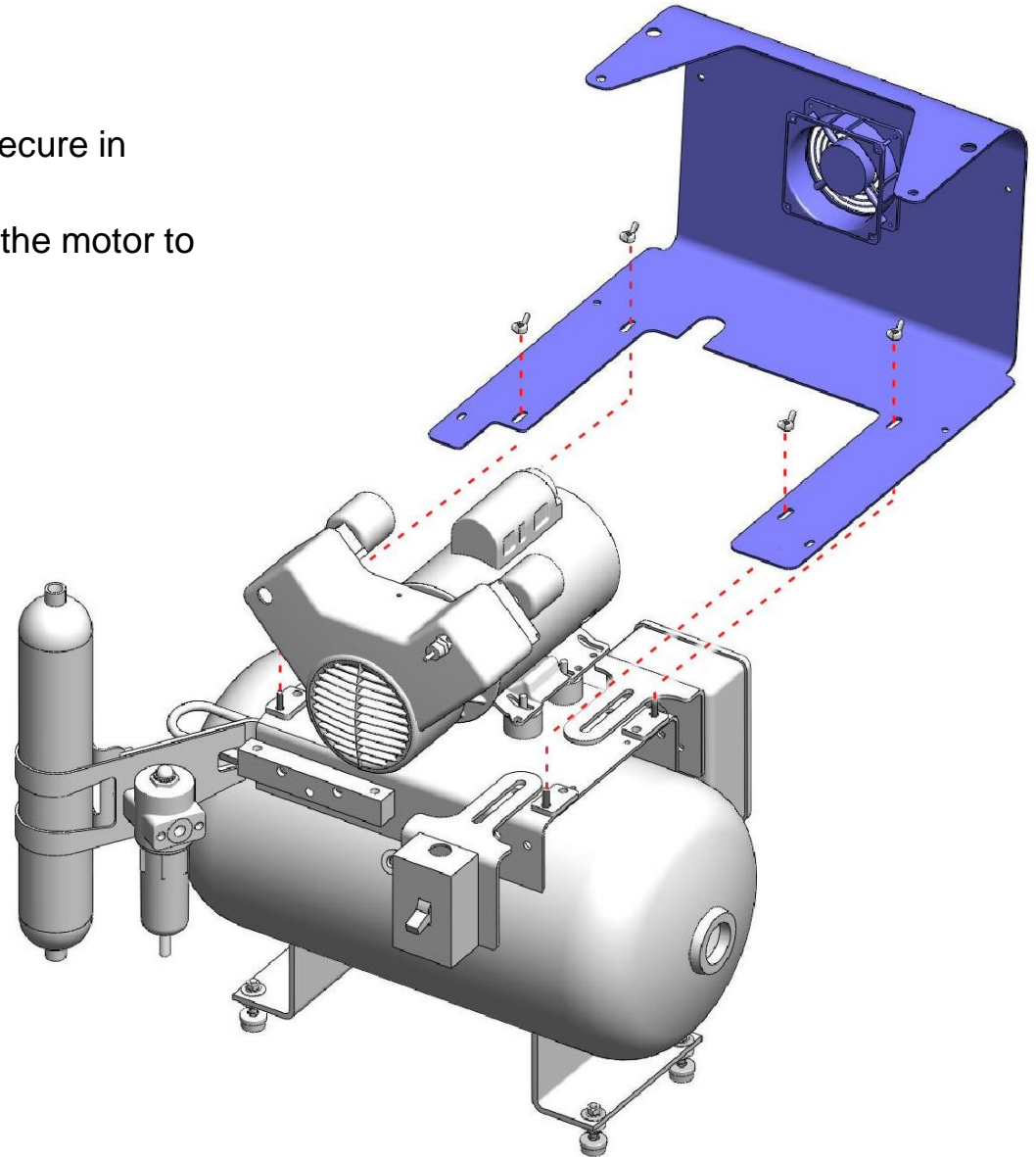


- From below insert 4X ¼-28 Screws. Tighten securely using an Allen (hex) wrench.
- Peel backing material and place 4X rubber spacers over screws as shown.

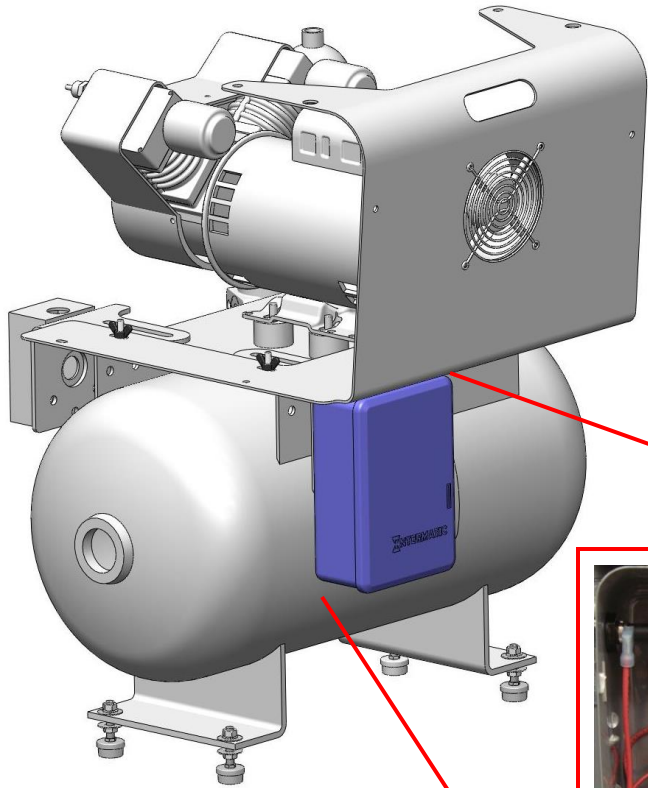
## Compressor Sound Cover Installation Instructions, Single Head

- Place baseplate\* over screws and secure in place with 4X locking wing nuts.
- Compress foam around the base of the motor to ensure a snug fit.

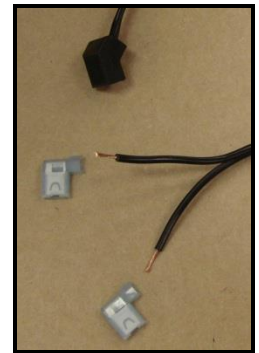
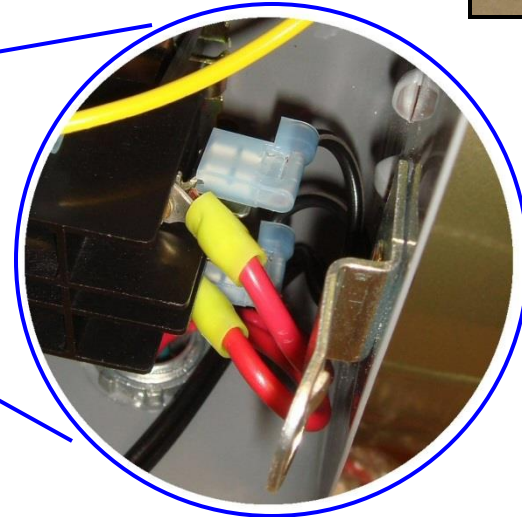
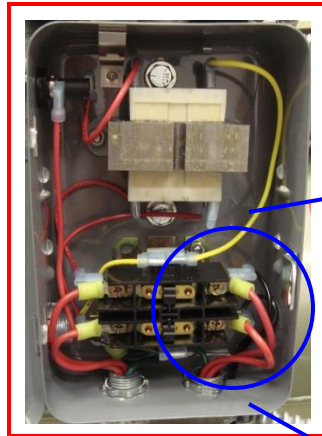
\* Foam has been removed for clarity.



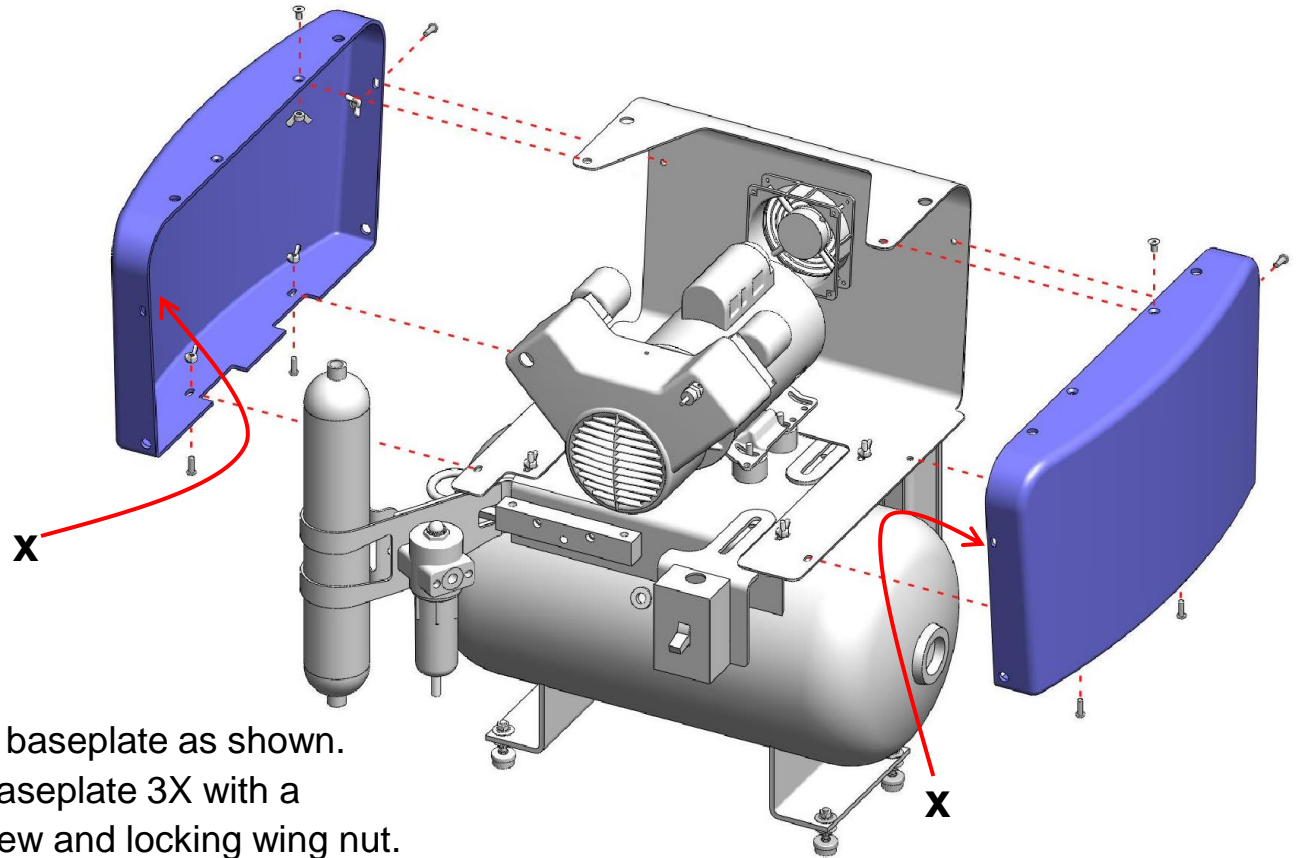
## Compressor Sound Cover Installation Instructions, Single Head



- Install and crimp flag terminals to ends of the pigtail wire for fan.
- Plug flag terminals into low voltage control box as shown.
- Connect plug on end of pigtail wire to axial fan.



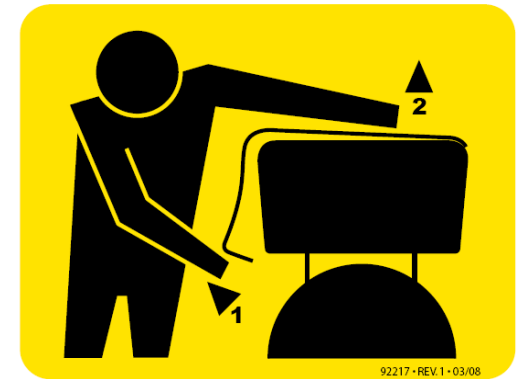
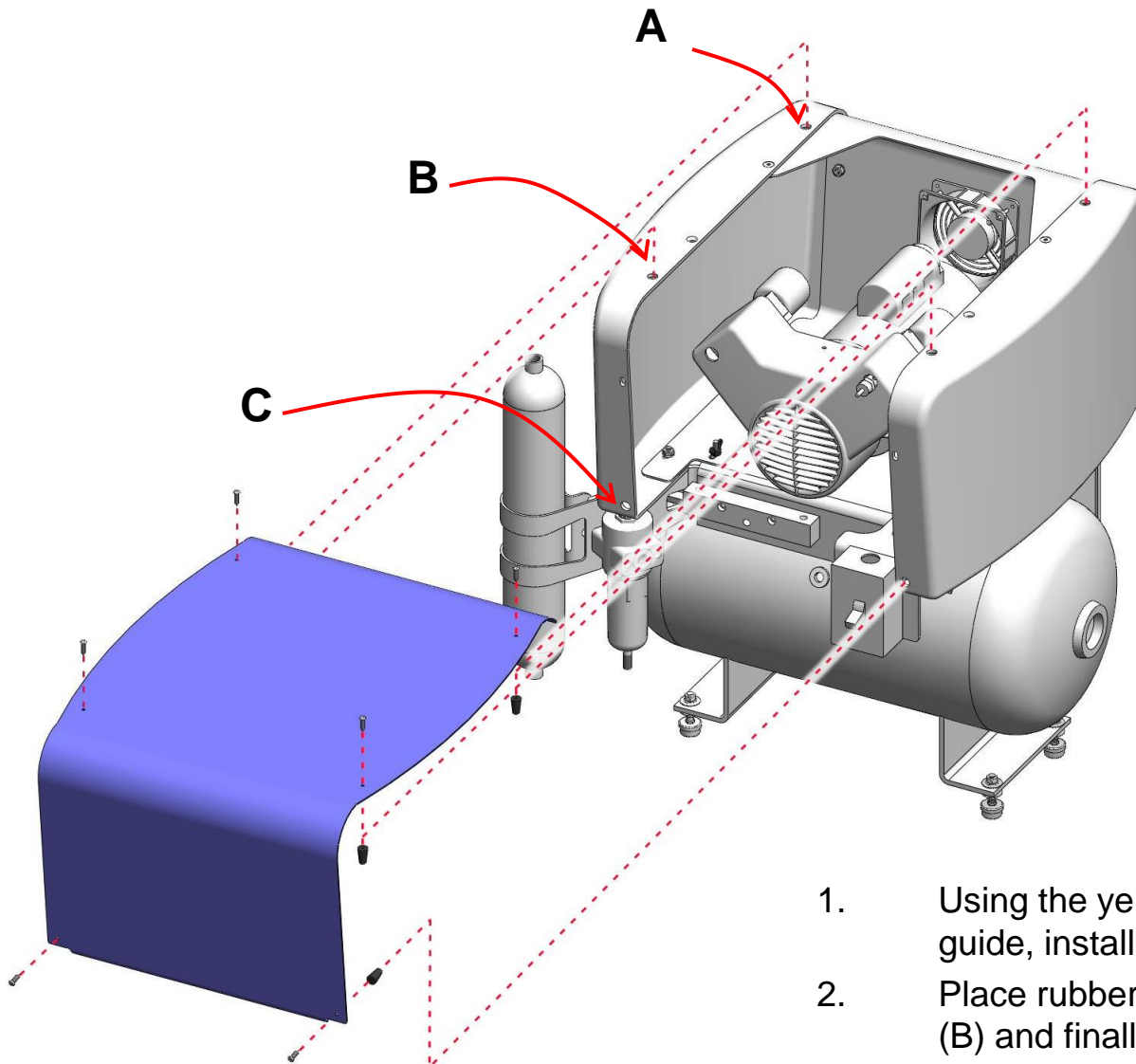
## Compressor Sound Cover Installation Instructions, Single Head



- Place end caps\* onto baseplate as shown. Secure end caps to baseplate 3X with a ¼-28 button head screw and locking wing nut.
- Secure top of end cap to upper portion of baseplate with one flat head socket cap screw ¼-28 and locking wing nut.
- Repeat on other end with second end cap.

\* Foam has been removed for clarity. Each end cap has an extra foam piece installed. The end caps should be placed such that this extra piece is along the inside front edge (x).

# Compressor Sound Cover Installation Instructions, Single Head



cover removal sticker

1. Using the yellow cover removal sticker as a guide, install the cover in reverse order.
2. Place rubber bayonets in positions (A), then (B) and finally (C).