

System 6000

Operation and Maintenance Instructions
Model 6547 Assistant's Cart

DCI

INTERNATIONAL

Contents

Introduction	3
Features and Controls	4
The Assistant's Package	4
Arm and Holder	4
Water Outlet & Flow Control	4
Operation	5
Self-Contained Water Supply	5
Using Bottled Water	5
Changing the Bottle	5
Routine Adjustments	6
Adjusting the Cart Height	6
Syringe Flow	6
Care of the Unit	7
Cart and Controls	7
Instrument Holder and Work Surface	7
Assistant's Vacuum Instruments	7
After Each Patient	7
At the End of Each Day	7
Cleaning the Solids Collector	7
Cleaning	8
Sterilization	8
Disinfecting and Sterilization	9
Disinfecting	9
Table 1: Chemical Disinfectants	9
Sterilization	10

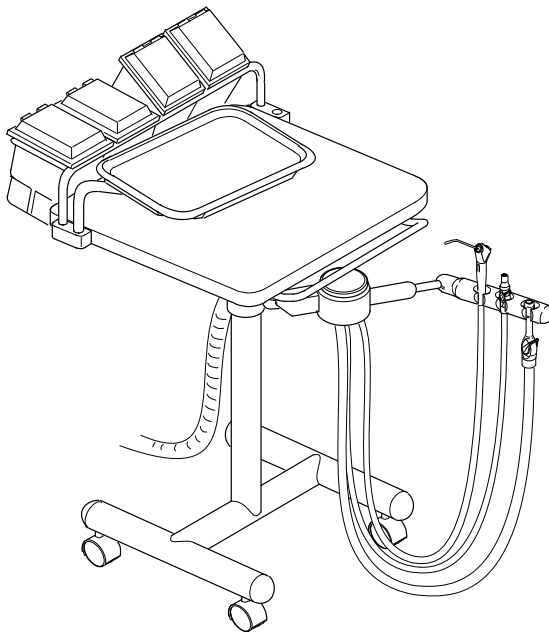
Model 6547 ***Introduction***

Thank you for your purchase of the ***DCI System 6000*** dental unit. This booklet contains detailed information about the operation and care of this state-of-the-art system. Carefully following these instructions will assure that your new dental equipment will give you years of reliable service.

The **Model 6547 Assistant's Cart**, shown below, features DCI's ***System 6000*** Assistant's Instrumentation mounted on a mobile cart.

The assistant's instruments is mounted on a pivoting bracket that allows instant left-right convertibility. The swing-out tray holder can also be moved to either side of the cart.

The adjustable height work surface is mounted on a stable H-frame. Mounted on the back of the cart is a storage organizer to provide convenient access to frequently used consumables.



Model 6547 Assistant's Cart

Section One

Features and Controls

The Assistant's Package

Arm and Holder

The **Model 6547** features the assistant's instrument holder on a movable bracket mounted beneath the cart's work surface.

The instrument holder accommodates a saliva ejector valve, an HVE valve, and the autoclavable syringe. The holder swings horizontally, and can be rotated on its axis, for maximum flexibility in positioning the instruments,

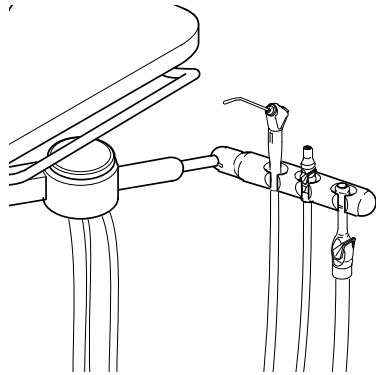


Figure 1: Assistant's Instruments

Solids Collector

On assistant's holder arm is a solids collector for the vacuum instruments. The strainer screen must be cleaned and disinfected *at least* once a week.

Water Outlet & Flow Control



A water outlet is located on the side panel of the utility housing mounted beneath the cart top. The outlet accepts a 1/4-inch QD fitting (*DCI part no. 0014*), and has an integral shut-off valve.

Just above the outlet (*see Figure 2*) is a control valve to adjust the flow from the water outlet.

Figure 2: Utility Housing

Section Two Operation


Self-Contained Water Supply

Your *System 6000* cart may be equipped with an optional self-contained water system that allows you to isolate your practice from the municipal water supply. The self-contained water system uses a pressurized bottle to supply water to the unit, giving you full control of the source and quality of the water.

A selector valve on the front panel of the utility housing allows you to select either the city water supply or a bottled water supply of your own choice.

Using Bottled Water

1. Fill the water bottle and install it on its receptacle on the cart. Tighten the bottle firmly to prevent leakage.
2. Turn the unit ON and check for leakage at the bottle. If air or water leakage is observed, turn the unit OFF to release all pressure before tightening the bottle to stop the leaking.
3. Select either city water or bottled water, as desired, using the selector valve on the utility housing



New drawing of the
S/C water supply
mounted on the
cart head

Figure 3: Self-Contained Water Supply

Changing the Bottle

1. Turn the unit OFF and allow several seconds for air pressure to be released from the bottle. **Never attempt to unscrew the bottle while it is pressurized!**
2. After releasing pressure, remove the empty bottle and install a full one.
3. Turn the unit ON and check for leakage at the bottle, as previously described.

Warning

Do not use any bottle other than that provided by DCI. Never use standard soft drink bottles, which may fail under pressure.

Do not attempt to adjust the water pressure, which is pre-set at the factory. Pressurizing the bottle over 40 psi may cause it to rupture.

Routine Adjustments

Adjusting the Cart Height

The vertical support post on the cart frame has a telescoping section that allows the cart top to be adjusted to any height between 32 and 42 inches. Your setting is secured by a large knob.

Caution

When making the cart height adjustment, you must support the weight of the cart head before loosening the knob. If you do not do this, the cart top will drop freely to the bottom of its range, possibly causing damage or injury.

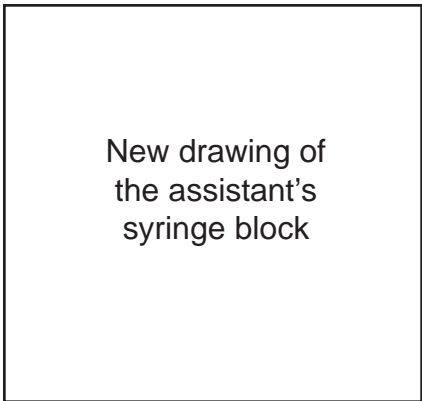
To adjust the work surface height, loosen the knob, while supporting the weight of the cart head. Raise or lower the work surface to the desired height, then tighten the knob firmly.

Syringe Flow

Adjusting screws allow you to control the flow of air and water from the syringe to prevent splashing and to achieve a desirable mist pattern.

The adjusting screws for the syringe are located inside the utility housing at the point where the assistant's holder arm is attached (*refer to Figure 4*). Look up inside the housing to see the adjusting screws.

1. Use a 3/32-inch hex key or the ball driver provided with the unit to make the syringe flow adjustment. Identify which adjusting screw is for air and which is for water by the color of the tubing connected to the block. Red is water, gray is air.
2. Adjust the water first, with the syringe button fully depressed. Turn the screw clockwise to decrease flow or counter-clockwise to increase flow.
3. After adjusting the water to the desired flow, press both buttons simultaneously and adjust the air flow to achieve a mist pattern that suits you.



New drawing of
the assistant's
syringe block

Figure 4: Syringe Adjusting Screws

Section Three Care of the Unit

Cart and Controls

Instrument Holder and Work Surface

The instrument holder, work surface and cart frame can be cleaned with a solution of mild detergent and warm water. A variety of surface disinfectants are available for use in dental treatment rooms. Some of these can cause discoloration of painted, plated or anodized surfaces with repeated use. This can be minimized by careful adherence to the disinfectant manufacturer's instructions and by frequent washing with soap and water.

If you use an iodophor (*refer to Table 1 on Page 9*), it is especially important that you follow up with an iodophor neutralizer.

Important: Do not use powdered cleansers, scouring pads or abrasive scrubbers on any of the painted, plastic or metal surfaces of this dental unit. To remove dried-on material, use a soft-bristled brush and a solution of mild detergent.

Assistant's Vacuum Instruments

After Each Patient

Draw clear water through each valve, while opening and closing it several times. Leave the valve open for several seconds to allow all of the water to clear the hoses. The HVE and Saliva Ejector tips should always be replaced with sterile ones before each patient.

At the End of Each Day

We recommend that you draw a vacuum system sanitizing solution through each valve, while opening and closing it. *EcoVac* (DCI part no. 5835 and 5837) is an effective vacuum system cleaner that is non-toxic and environmentally safe.

Cleaning the Solids Collector

At least once a week, the solids collector screen should be removed for cleaning. Turn off the vacuum pump and swing-out the instrument holder. Remove the solids collector cap and lift out the screen. Disposable screens are available in packages of 100 (DCI part no. 5817). If you find an excessive amount of material in the screen, more frequent cleaning is necessary.

Cleaning

Clean the vacuum instruments using mild detergent and warm water. Thoroughly rinse the syringe with clear water, then dry with a clean, soft, lint-free cloth.

Ultrasonic cleaning is not recommended, as the chemicals used may damage the surface finishes of the instrument.

Important: Do not use sodium hypochlorite or any chlorine bleach on the vacuum instruments. These products will permanently damage the instruments. Never use powdered cleansers, scouring pads or abrasive scrubbers, any of which can damage the finishes.

Sterilization

Remove each valve from its tubing for sterilization. A vacuum plug (*DCI part no. 5179*) may be inserted into the quick-disconnect while there is no valve in place.

In any situation involving high-risk patients, it is recommended that the instruments be removed for sterilization after every patient. Instructions for disinfecting and sterilizing the vacuum instruments may be found in **Section Four** of this manual.

As Needed

Disassemble the valve and lubricate the internal parts when operation becomes stiff or sticky (*refer to Figure 5*). Clean the inner surfaces and apply a small amount of O-ring lubricant (*DCI part no. 8030*) to the moving parts and O-rings.

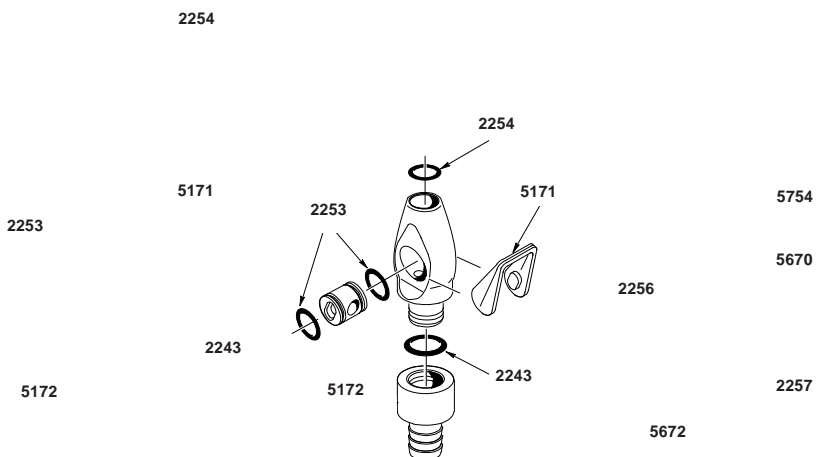


Figure 5: Assistant's Vacuum Instruments

Section Four

Disinfecting and Sterilization

The procedures given here apply to the vacuum instruments and the autoclavable syringe. Additional information on sterilization and disinfection may be obtained from the American Dental Association and the Centers for Disease Control.

Disinfecting

The use of chemical disinfecting agents is not necessary if the instrument is going to be sterilized. While their use may be easy and quick, it is important to know the effectiveness of any chemical disinfectant against the various agents of infection that may be encountered.

Your dental supply dealer will have current information from all disinfectant manufacturers regarding their product's effectiveness. Always follow the product manufacturer's recommendations for use. The following table lists the disinfectants commonly available through dental supply sources.

Disinfectant	Brand Name	Manufacturer
Phenol/Water Sprays	BIREX se Sporicidin	Biotrol, Int. Ash Div. Dentsply Int'l
Glutaraldehyde Phenol Sprays	Coldspor Procide Spray Sterall Spray	Matrex Research Cottrell Ltd. Colgate Hoyt
Iodophors	Asepti-IDC Biocide Promedyne Iodo-Five Wescodyne	Huntington Labs Biotrol, Int. Cottrell, Ltd. Amsco Medical Prod.
Synergized Chemicals	Cavicide	E & D
Iodophor Neutralizers	Promedyne	Cottrell, Ltd.

Table 1: Chemical Disinfectants

NOTE

While none of the products listed in Table 1 will adversely affect the performance of your instruments, most chemical disinfectants can be expected to cause some degree of discoloration. This can be minimized by frequent cleaning with soap and water, and in the case of Iodophors, regular use of Iodophor Neutralizers.

Sterilization

There are several methods of sterilization that may be used. It is important to remember, however, that regardless of the method you choose, temperatures should never exceed 275° Fahrenheit (135° Celsius).

Any of the following sterilization methods may be safely used on your vacuum instruments:

- Steam Autoclave
- Ethylene Oxide Gas
- Chemical Vapor Process

Do not allow the instruments to come into contact with the walls of the sterilizer. Avoid placing the instruments in close proximity to the sterilizer heating element.

Dry heat sterilization is not recommended because of the difficulty in maintaining the precise temperature control necessary to prevent damage to the instruments.

Important: When using the chemical vapor process, it is essential to rinse out all cleaning agents with clear water. The internal surfaces and passages must be thoroughly purged of residual cleaning agents by flushing with water then isopropyl alcohol. This will prevent the formation of a crystalline residue resulting from reactions between the chemical vapor solutions and cleaning agents.

One Year Guarantee

DCI has put a lot of time and effort into designing, manufacturing or selecting all the fine products in our catalog. Therefore we are able to fully guarantee every product we sell to be free of manufacturing defects for one year from time of purchase (except the fiber optic tubings which are guaranteed for 6 months). Should any product fail, for whatever reason due to manufacturing defect, DCI will repair or replace that product at no charge to the customer. Beyond the one-year period, we still back everything we sell with service at little or no cost to the customer.



Mailing Address:

P.O. Box 228
Newberg, OR 97132-0228 U.S.A.
(503) 538-8343 Toll Free: 1-800-853-3822
FAX: (503) 537-2686

Shipping Address:

305 N. Springbrook Road
Newberg, OR 97132-0228
U.S.A.

Publication No. 91356
Rev. 04-17-97